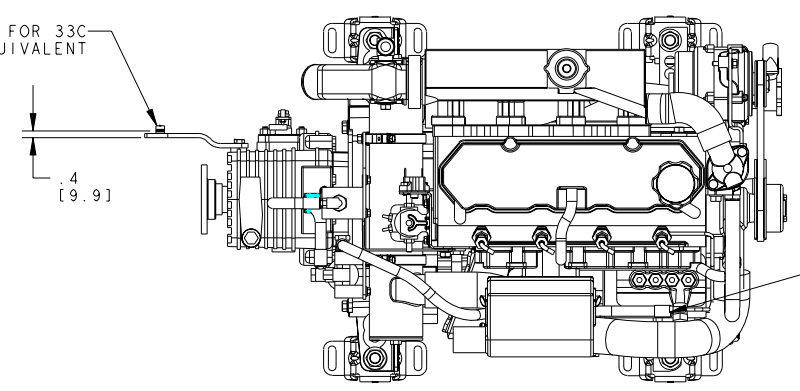


ECO NO.	DATE	REV.	REVISION RECORD	AUTH.	DR. BY
5426	12-12-02	A	ADDED PART #48076 TO ASSEMBLY		BM

CLAMP FOR 33C CABLE OR EQUIVALENT

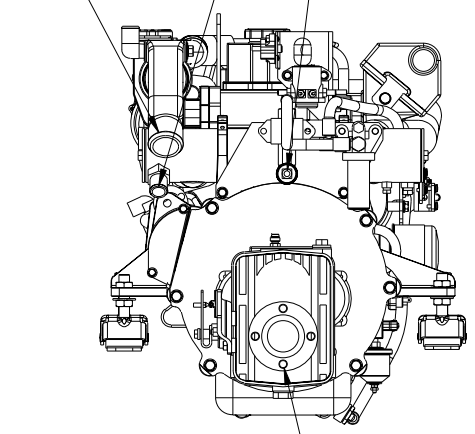


FUEL RETURN CONNECTION  
3/8-24 NF (MALE)

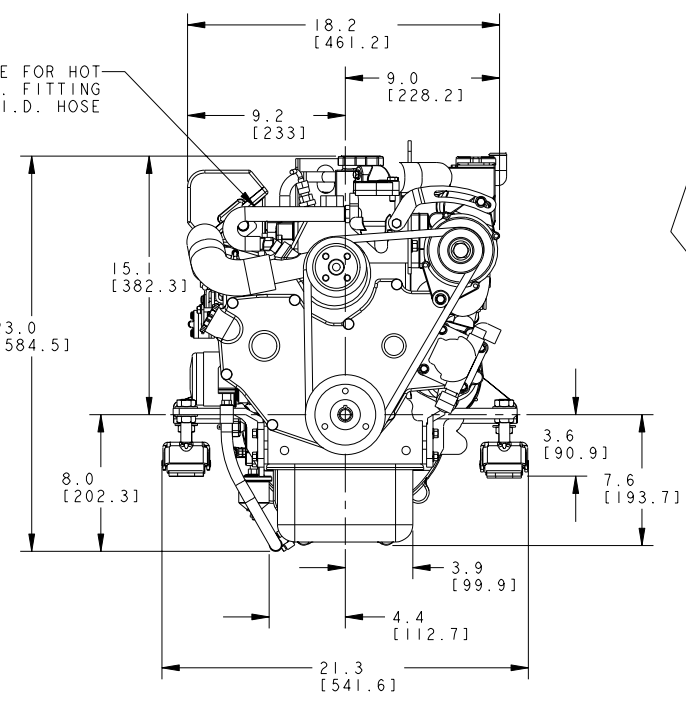
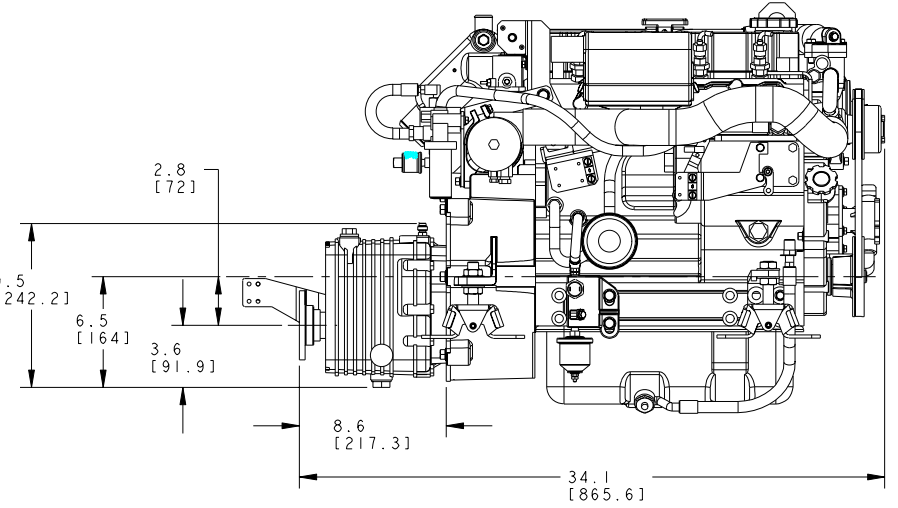
EXHAUST OUTLET (OPTIONAL 90° ELBOW 2.0 [50.8] I.D. HOSE)

RAW WATER DISCHARGE  
1.0 [25.4] I.D. HOSE

FUEL INLET CONNECTION  
1/8-27 NPT (FEMALE)

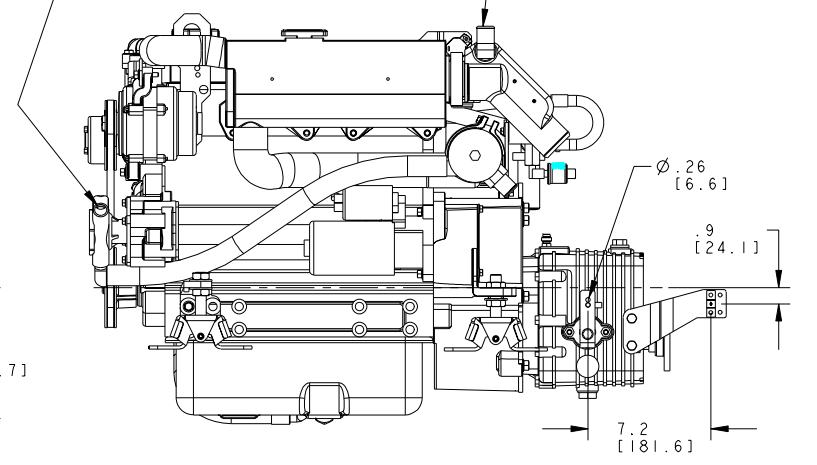


REMOVE HOSE FOR HOT WATER CONNECTION. FITTING FOR .63 [16.0] I.D. HOSE

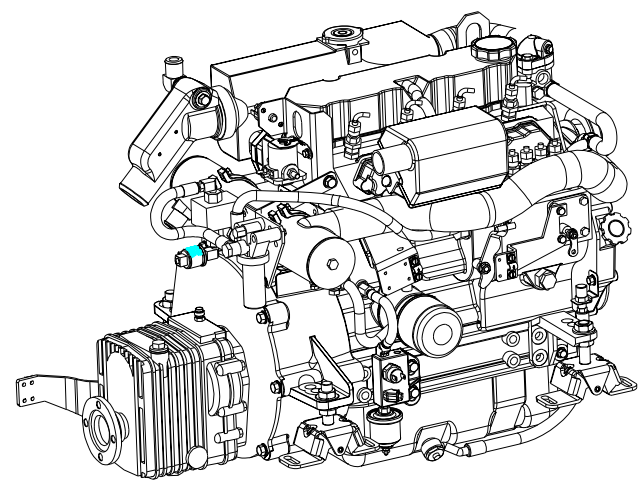
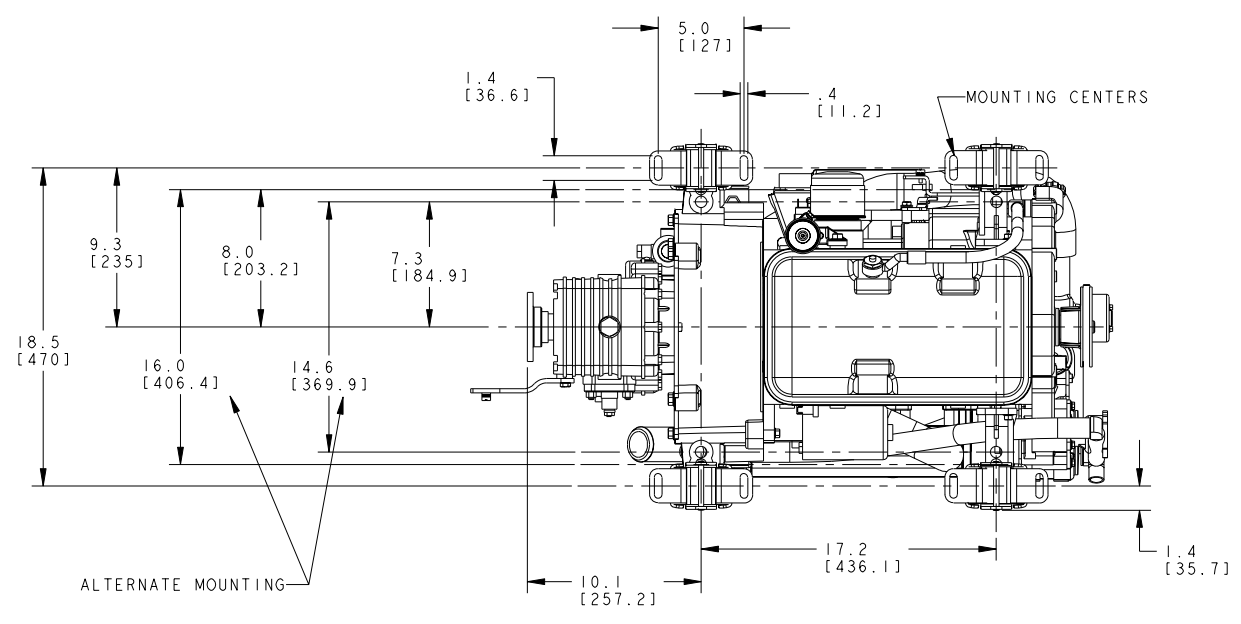


WATER INJECTION FITTING LOCATED ON EITHER SIDE 1.0 [25.4] I.D. HOSE

RAW WATER INLET  
1.0 [25.4] I.D. HOSE



Ø .413 [10.49] THRU (4) HOLES  
EQUALLY SPACED ON A 3.25 [82.5] Ø B.C.



MODEL WITH 50 AMP ALTERNATOR

TOLERANCES (UNLESS OTHERWISE NOTED)		WESTERBEKE CORPORATION TAUNTON, MA. 02780	
INCHES	MILLIMETERS	TITLE	
.XX : .02	X : ± 1.0	INSTALLATION DRAWING	
.XXX : .005	.X : ± .5	44B FOUR WITH PRM120 TRANSMISSION	
CAST : .03	.XX : ± .13	DRAWN BY	DATE
FINISH : 9		BM	28/Jun/02
		APPROVED BY	DATE
DIMENSIONS		SCALE: .187	SIZE
← INCHES → ← MILLIMETERS →		D	47969
(WHEN APPLICABLE)		SHT. 1 OF 1	REV. A